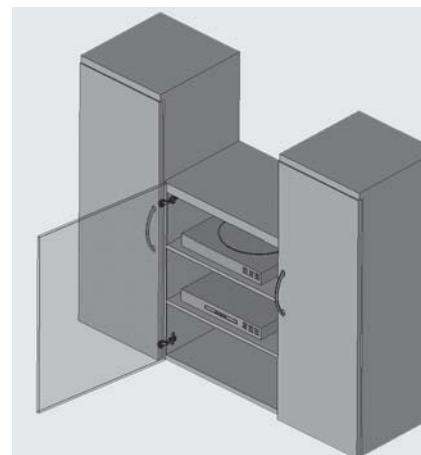


hinge systems

Star Mini Glass Door Hinge



- Opening Angle : 110°
- Cup Diameter : 26 mm
- Thickness of Glass: 4-7 mm
- Hinge Body : Steel
- Hinge Cup : Plastic
- Crank Type : 0-9-18 mm
- Finish : Nickel
- Depth Adj. : ±2 mm
- Packaging : 500 Piece

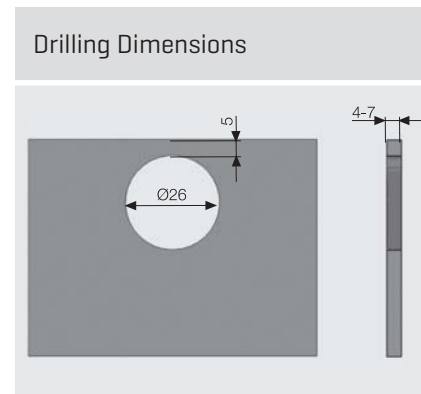


Cranking Crank 0	
Code List According to Cup Connection Types	
DEFINITION	CODE
Star Mini Glass Door Hinge 0 mm	103064

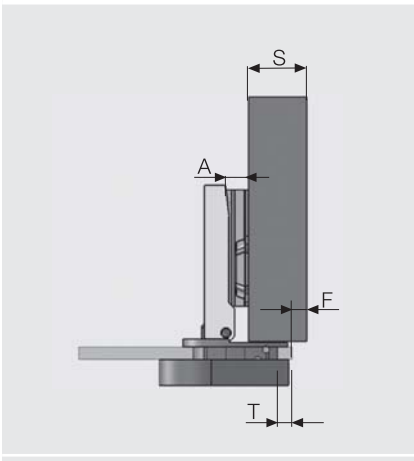
Cranking Crank 9	
Code List According to Cup Connection Types	
DEFINITION	CODE
Star Mini Glass Door Hinge 9 mm	103065

Cranking Crank 18	
Code List According to Cup Connection Types	
DEFINITION	CODE
Star Mini Glass Door Hinge 18 mm	103066

Page Directions	
Mounting Plates	Page 164
Decorative Covers	Page 177
Assembly	Page 181
Dimension Charts and Symbols	Page 182

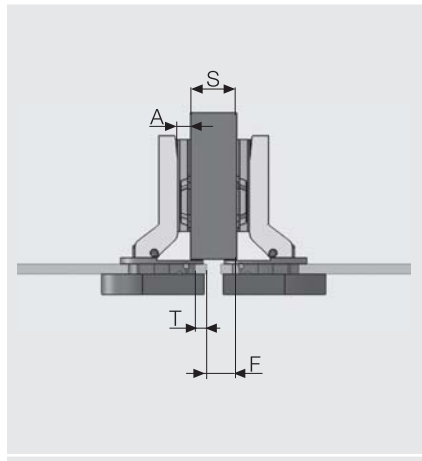


Cranking Crank 0



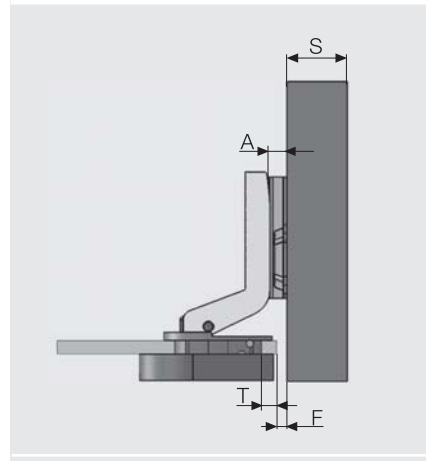
$A = 15 + F + T - S$

Cranking Crank 9



$A = 6 + F + T - S$

Cranking Crank 18



$A = F + T - 3$

Calculation Table

Cranking Crank 0

S	Wall Thickness	18			16		
A	Thickness of Distance	2	3	4	4	5	6
F	Minimum Gap	0	1	2	0	1	2
T	Cup Distance	5	5	5	5	5	5

Cranking Crank 9

S	Wall Thickness	18			16		
A	Thickness of Distance	3	4	5	4	5	6
F	Minimum Gap	10	11	12	9	10	11
T	Cup Distance	5	5	5	5	5	5

Cranking Crank 18

s	Wall Thickness	-			-		
A	Thickness of Distance	4	5	-	-	-	-
F	Minimum Gap	2	3	-	-	-	-
T	Cup Distance	5	5	-	-	-	-